

VEJE



Axial fan for parking systems

F200 (200° C/2h) certified according to en 12101-3

F300 (300° C/1h) certified according to en 12101-3

APPLICATIONS:

Impulse fans VEJE are used in the forced ventilation of car parks, to remove the most common pollutions (ex. CO) and in case of emergency (fire), it activates to prevent and restrict the damages to people and objects: creating escape routes from toxic smokes, preventing the propagation in the adjacent zones etc.

Impulse fan VEJE has the main characteristic to be ductless, offering a series of advantages as:

- remarkable saving in times and costs of installation.
- saving in running costs, possibility to ventilate or extract only specific areas of the garage, where it is effectively required.
- Ease of removal with consequent lower costs of maintenance or displacement of the plant.

VEJE have been designed and manufactured in accordance with the new European Directive EN 12101-3 obtaining the certification by an independent certification body.

This line is suitable to S1 service (continuous operation) at the temperature of 40°C and S2 service in case of emergency (fire) at the temperature of 200°C for 2 hour (F200) or 300°C for 1 hour (F300).

The notion of double operation is exactly translated by the term "dual purpose" introduced in this case by the Directive EN 12101-3.



RANGE:

This line consists of 3 sizes, impeller diameter :
from 310 mm to 400 mm

- Motors are 2/4 poles double polarity dahlander winding.
- Available versions:
 - uni - directional (VEJE ... T)
 - reversible airflow (VEJE ... RT).
- standard for operation S1 up to +40°C - Smoke exhaust operation S2 200°C/2h (F200) certified EN 12101-3.
- 300°C/1h (F300) certified EN 12101-3 (unclassified 300°C/2h - tested).

CONSTRUCTION:

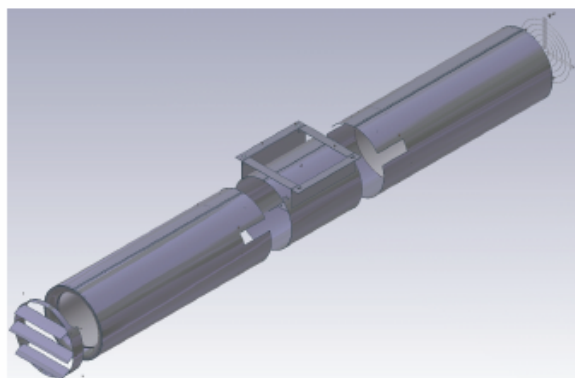
- ▣ Casing in galvanised steel sheet protected against the atmospheric agents.
- ▣ High efficiency impeller in die cast aluminum alloy with airfoil blades and variable pitch angle in still position. Balancing according to ISO 1940.
- ▣ Asynchronous three phase electrical motor, IP 55, mounting type B3, construction according to IEC/EEC directives, suitable and certified to operate in S1 service (continuous running) up to the maximum temperature of 40° C and S2 service in case of fire emergency for 200°C for 2 hour or 300° C for 1 hour.
- ▣ Execution 4 (impeller directly coupled to the motor shaft)
- ▣ N.2 cylindrical silencers in galvanized steel sheet directly flanged to the fan.
- ▣ Inlet protection grid and outlet deflector (uni-directional) or n.2 deflectors for reversible version.
- ▣ Ceiling fixing system.

TECHNICAL SPECIFICATIONS:

- ▣ Conveyed air: clean, not abrasive.
- ▣ Voltage and frequency:
 - three-phase (T) 400V/50 Hz.

ON REQUEST:

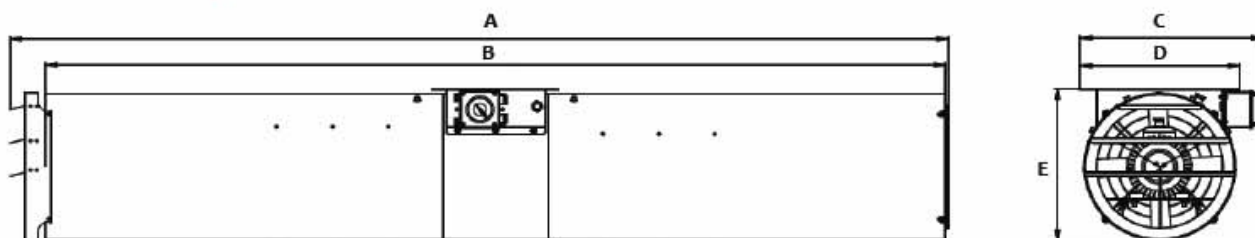
- ▣ Service switch wired.
- ▣ Coating in a standard RAL colour



venti
special
bv

SPECIAL PRODUCTS

Model	thrust (N)	Flow rate (m³/h)	Pm motor (kW)	air speed (m/s)	In max (A)	speed rpm	kg
VEJE 315 T	3/12	1.500/2.900	0,2/0,8	6,2/12,1	0,6/1,91	1.400/2.820	55
VEJE 350 T	7/27	2.000/4.000	0,25/1,1	10,2/20,1	0,75/2,41	1.480/2.930	60
VEJE 350 RT	7/24	1.900/3.700	0,25/1,1	10/19,1	0,75/2,41	1.480/2.930	60
VEJE 415 T	13/50	3.200/6.500	0,37/1,5	11,2/22,6	1,25/3,54	1.480/2.900	72
VEJE 415 RT	11/43	2.900/6.000	0,37/1,5	10,7/20,8	1,25/3,54	1.480/2.900	72



Model	A	B	C	D	E
VEJE 315	1.725	1.625	458	382	331
VEJE 350	1.725	1.625	481	405	390
VEJE 415	2.601	2.495	509	443	433

Dimensions in mm