

ERM 15

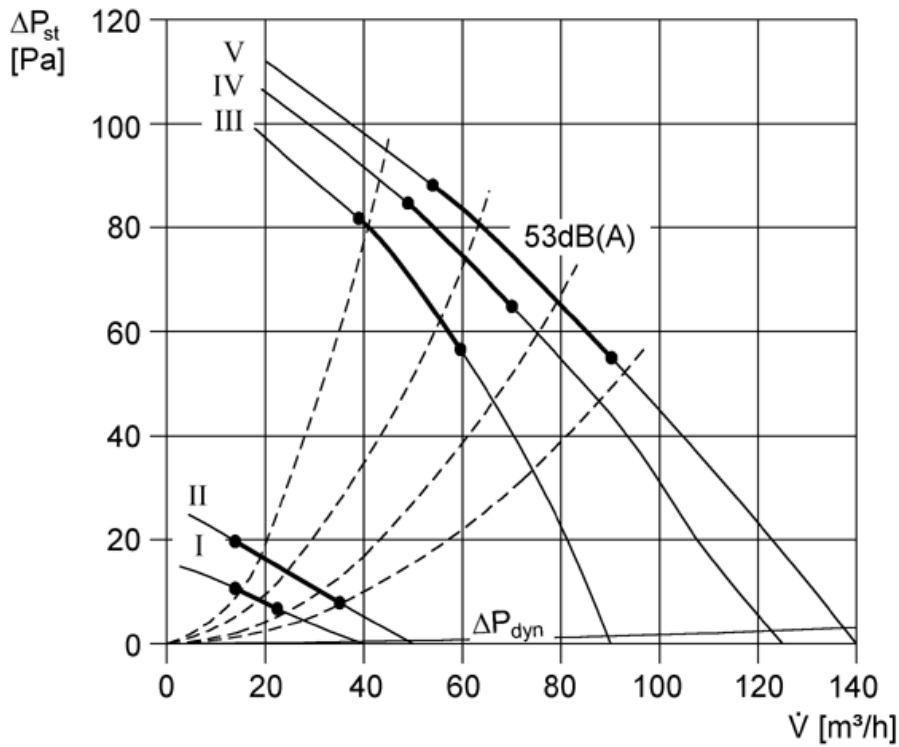
Semi-centrifugal duct fan, DN 150, single-phase AC



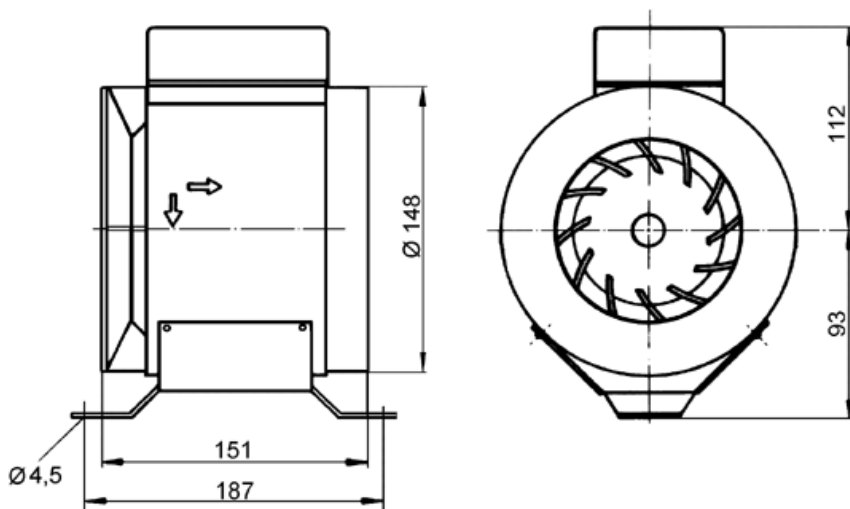
Technical Data

Article	ERM 15
Air flow volume	140 m ³ /h
Rotating speed	2,600 1/min
Speed controllable	✓
Type of voltage	Alternating current
Rated voltage	230 V
Frequency	50 Hz
Nominal output	38 W
I _{nom}	0.26 A
I _{Max}	0.26 A
Degree of protection (IP)	54
Insulation class	B
Mains cable	3 × 1.5 mm ²
Installation position	vertical, horizontal
Housing material	Synthetic material, shock-resistant
Colour	Pearl white, similar to RAL 1013
Weight	1.8 kg
Nominal size	150 mm
Airstream temperature at nominal current	55 °C
Airstream temperature at I _{Max}	55 °C
Sortiment	C
EAN	4012799802037
Article number	0080.0203
Aggregate level L _{WA2} , S5 (housing sound pressure level)	49 dB(A)
Aggregate level L _{WA5} , S5 (free inlet sound pressure level)	57 dB(A)
Aggregate level L _{WA6} , S5 (free outlet sound pressure level)	60 dB(A)

Characteristic curve



Dimensions [mm]



ERM 18

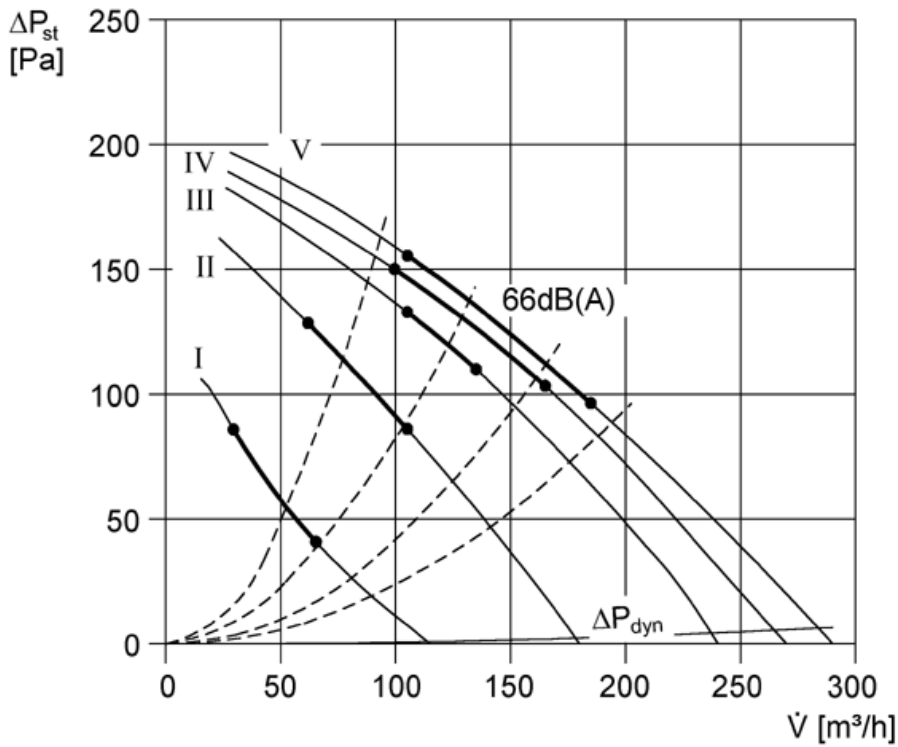
Semi-centrifugal duct fan, DN 180, single-phase AC



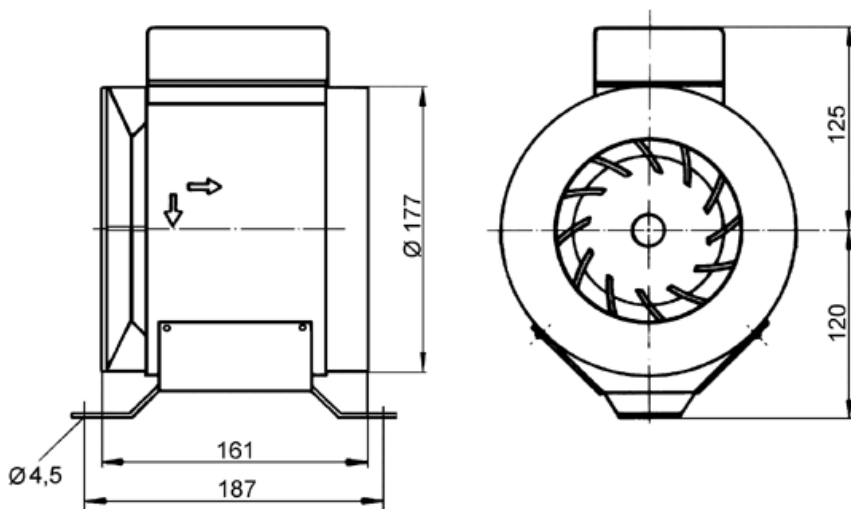
Technical Data

Article	ERM 18
Air flow volume	290 m ³ /h
Rotating speed	2,760 1/min
Speed controllable	✓
Type of voltage	Alternating current
Rated voltage	230 V
Frequency	50 Hz
Nominal output	50 W
I _{nom}	0.25 A
I _{Max}	0.27 A
Degree of protection (IP)	54
Insulation class	B
Mains cable	3 × 1.5 mm ²
Installation position	vertical, horizontal
Housing material	Synthetic material, shock-resistant
Colour	Pearl white, similar to RAL 1013
Weight	2.3 kg
Nominal size	180 mm
Airstream temperature at nominal current	55 °C
Airstream temperature at I _{Max}	55 °C
Sortiment	C
EAN	4012799802518
Article number	0080.0251
Aggregate level L _{WA2} , S5 (housing sound pressure level)	57 dB(A)
Aggregate level L _{WA5} , S5 (free inlet sound pressure level)	70 dB(A)
Aggregate level L _{WA6} , S5 (free outlet sound pressure level)	70 dB(A)

Characteristic curve



Dimensions [mm]



ERM 18 E Ex e

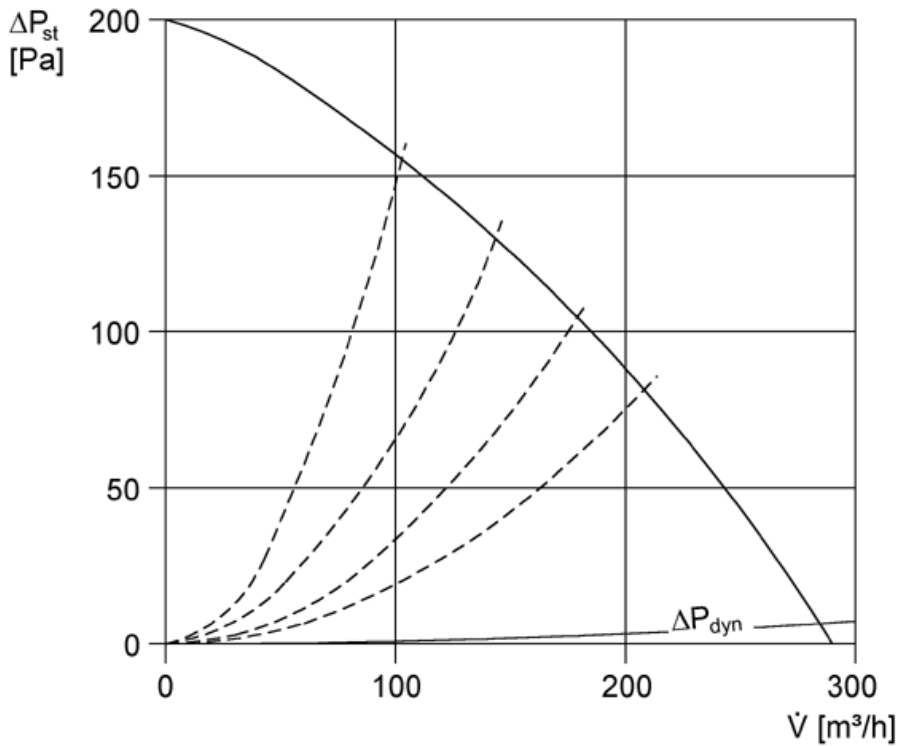
Semi-centrifugal duct fan, DN 180, single-phase AC, explosion proof



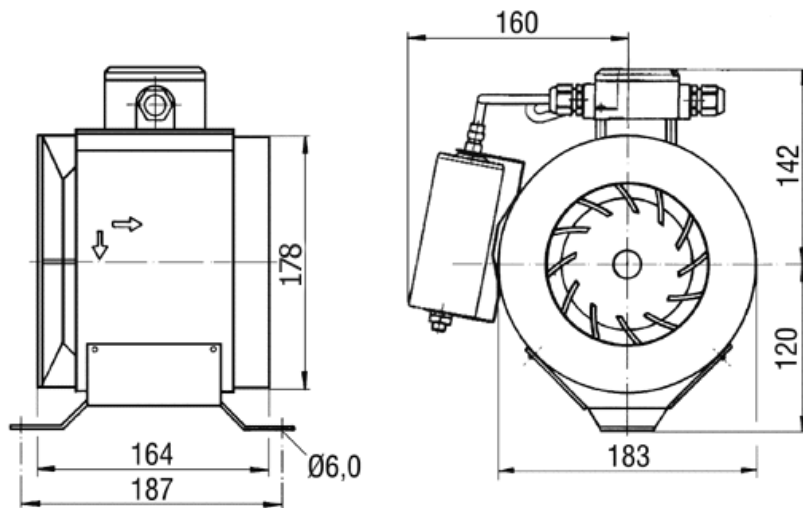
Technical Data

Article	ERM 18 E Ex e II
Air flow volume	310 m ³ /h
Rotating speed	2,780 1/min
Type of voltage	Alternating current
Rated voltage	230 V
Frequency	50 Hz
Nominal output	50 W
I _{nom}	0.25 A
I _A / I _N	2.5
Degree of protection (IP)	54
Insulation class	B
Mains cable	3 × 1.5 mm ²
Installation position	vertical, horizontal
Housing material	Synthetic material
Colour	Signal black, similar to RAL 9004
Weight	3 kg
Nominal size	180 mm
Airstream temperature at nominal current	50 °C
Airstream temperature at I _{Max}	50 °C
Ambient temperature:	50 °C
Explosion protection	Ex II 2G
Temperature class	T4
Sortiment	C
EAN	4012799802907
Article number	0080.0290
Aggregate level L _{WA5} , S5 (free inlet sound pressure level)	66 dB(A)

Characteristic curve



Dimensions [mm]



ERM 22

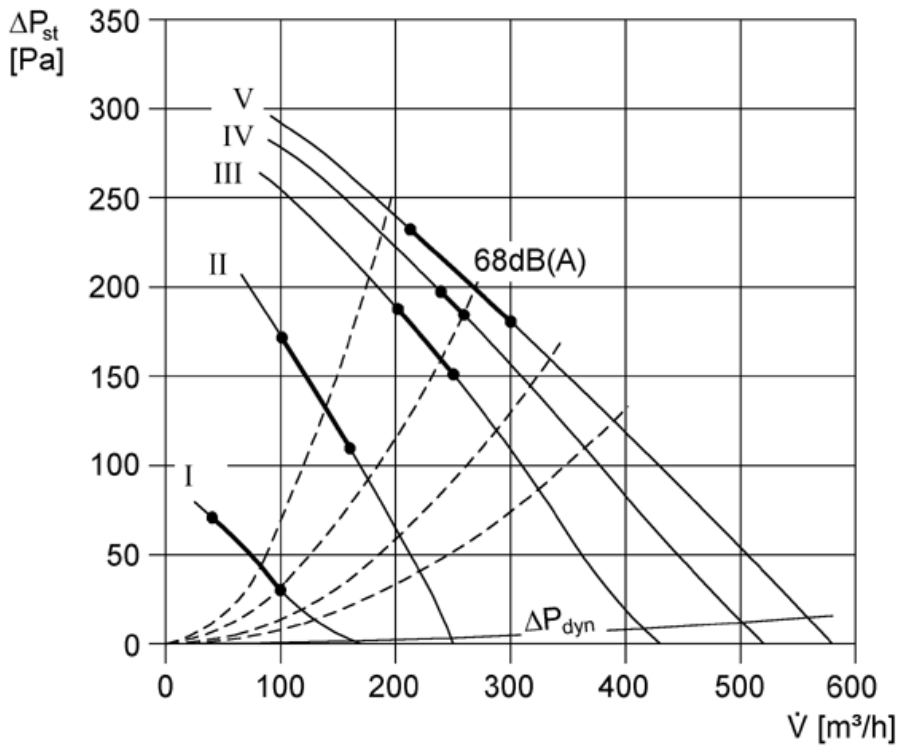
Semi-centrifugal duct fan, single-phase AC, with 2 reducers to DN 200



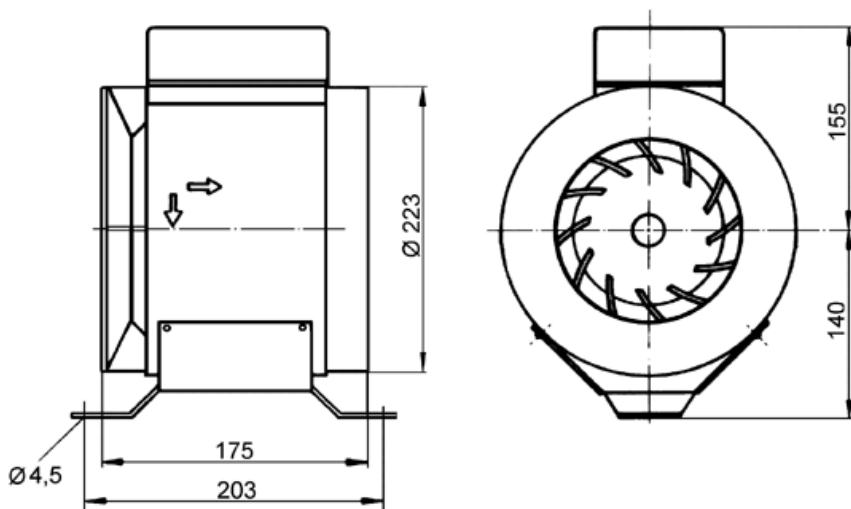
Technical Data

Article	ERM 22
Air flow volume	580 m ³ /h
Rotating speed	2,750 1/min
Speed controllable	✓
Type of voltage	Alternating current
Rated voltage	230 V
Frequency	50 Hz
Nominal output	165 W
I _{nom}	0.7 A
I _{Max}	0.95 A
Degree of protection (IP)	55
Insulation class	F
Mains cable	3 × 1.5 mm ²
Installation position	vertical, horizontal
Housing material	Synthetic material, shock-resistant
Colour	Pearl white, similar to RAL 1013
Weight	5.6 kg
Nominal size	200 mm
Airstream temperature at nominal current	60 °C
Airstream temperature at I _{Max}	60 °C
Sortiment	C
EAN	4012799802044
Article number	0080.0204
Aggregate level L _{WA2} , S5 (housing sound pressure level)	63 dB(A)
Aggregate level L _{WA5} , S5 (free inlet sound pressure level)	72 dB(A)
Aggregate level L _{WA6} , S5 (free outlet sound pressure level)	77 dB(A)

Characteristic curve



Dimensions [mm]



ERM 22 E Ex e

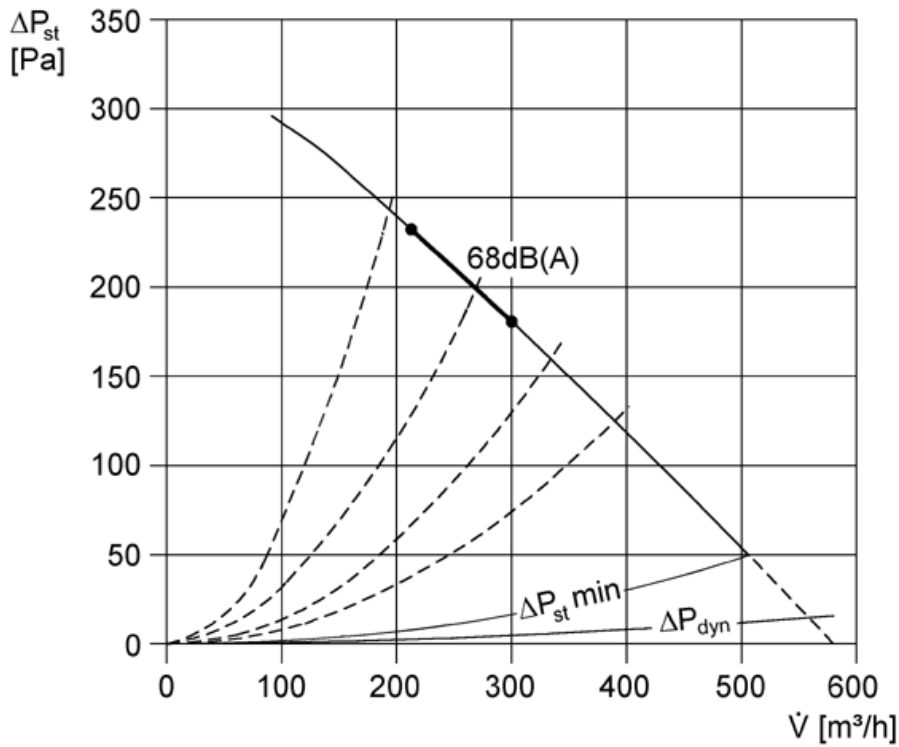
Semi-centrifugal duct fan, DN 220, single-phase AC, explosion proof



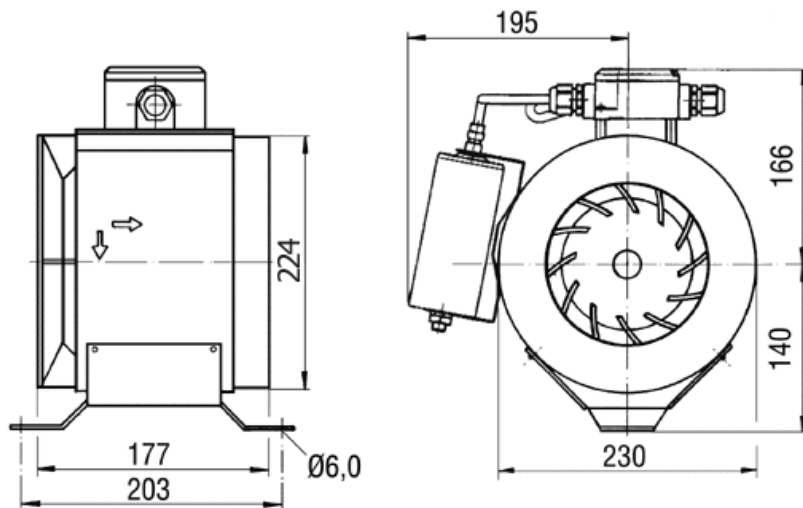
Technical Data

Article	ERM 22 E Ex e II
Air flow volume	560 m ³ /h
Rotating speed	2,860 1/min
Type of voltage	Alternating current
Rated voltage	230 V
Frequency	50 Hz
Nominal output	200 W
I _{nom}	0.92 A
I _A / I _N	3.1
Degree of protection (IP)	54
Insulation class	B
Mains cable	3 × 1.5 mm ²
Installation position	vertical, horizontal
Housing material	Synthetic material
Colour	Signal black, similar to RAL 9004
Weight	5.3 kg
Nominal size	200 mm
Airstream temperature at nominal current	50 °C
Airstream temperature at I _{Max}	50 °C
Ambient temperature:	50 °C
Explosion protection	Ex II 2G
Temperature class	T3
Sortiment	C
EAN	4012799802884
Article number	0080.0288
Aggregate level L _{WA5} , S5 (free inlet sound pressure level)	73 dB(A)
Aggregate level L _{WA8} , S5 (housing and free outlet sound pressure level)	66 dB(A)

Characteristic curve



Dimensions [mm]



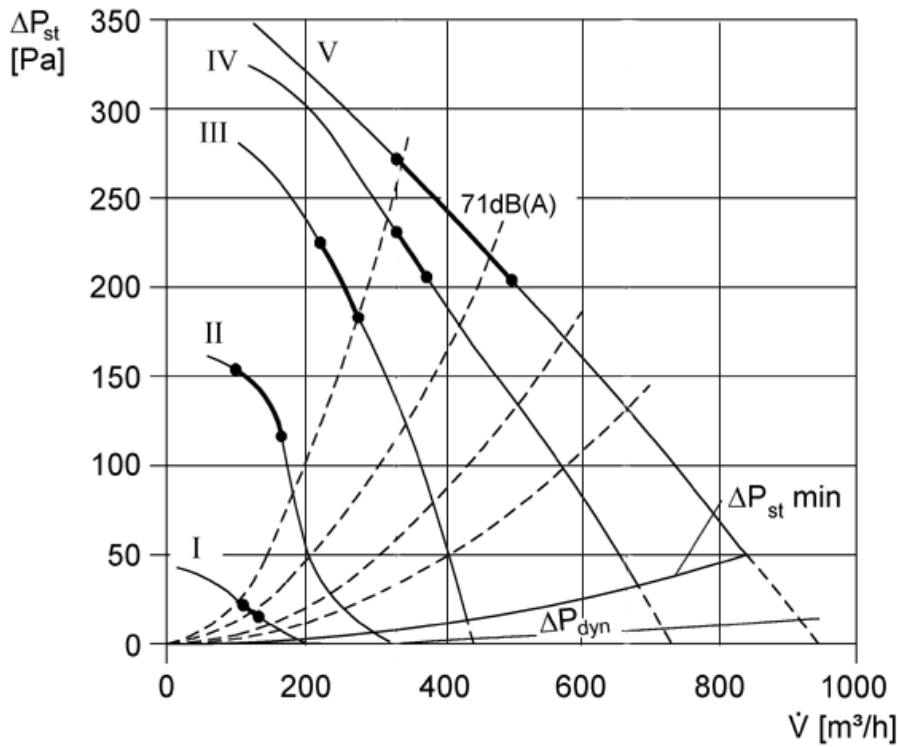
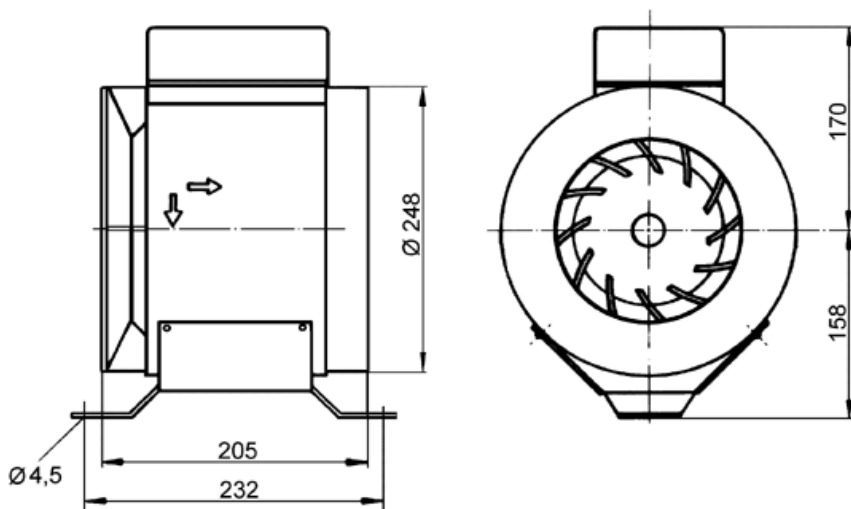
ERM 25

Semi-centrifugal duct fan, DN 250, single-phase AC



Technical Data

Article	ERM 25
Air flow volume	850 m ³ /h
Rotating speed	2,600 1/min
Speed controllable	✓
Type of voltage	Alternating current
Rated voltage	230 V
Frequency	50 Hz
Nominal output	207 W
I _{nom}	0.9 A
I _{Max}	1.4 A
Degree of protection (IP)	55
Insulation class	F
Mains cable	3 × 1.5 mm ²
Installation position	vertical, horizontal
Housing material	Synthetic material, shock-resistant
Colour	Pearl white, similar to RAL 1013
Weight	5.6 kg
Nominal size	250 mm
Airstream temperature at nominal current	80 °C
Airstream temperature at I _{Max}	40 °C
	At delta p _{St min} = 50 Pa
Sortiment	C
EAN	4012799802051
Article number	0080.0205
Aggregate level L _{WA2} , S5 (housing sound pressure level)	68 dB(A)
Aggregate level L _{WA5} , S5 (free inlet sound pressure level)	75 dB(A)
Aggregate level L _{WA6} , S5 (free outlet sound pressure level)	80 dB(A)

Characteristic curve

Dimensions [mm]


ERM 25 E Ex e

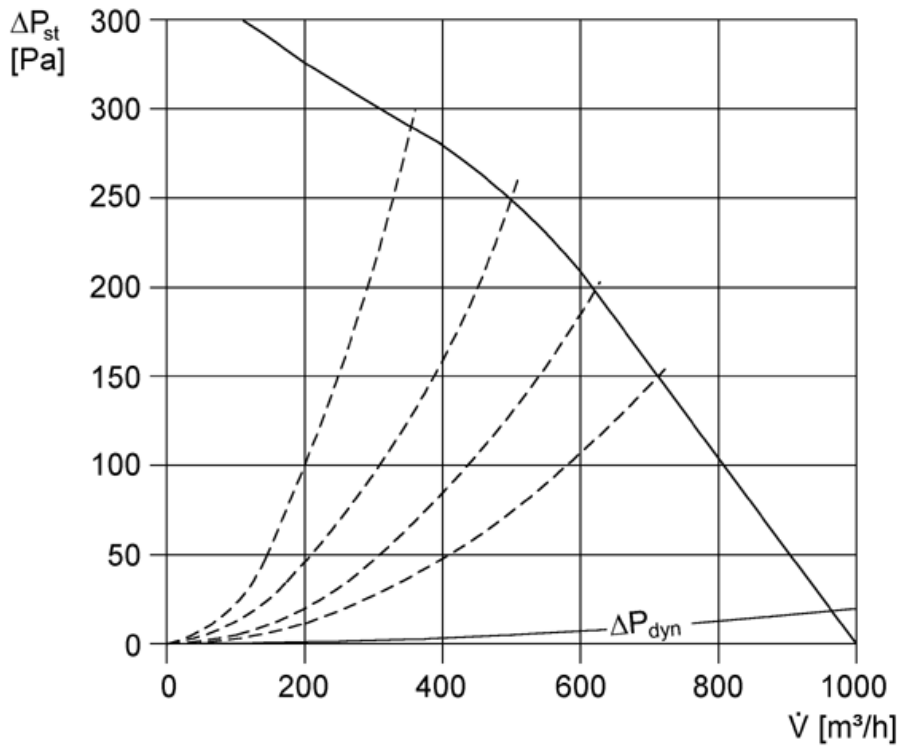
Semi-centrifugal duct fan, DN 250, single-phase AC, explosion proof



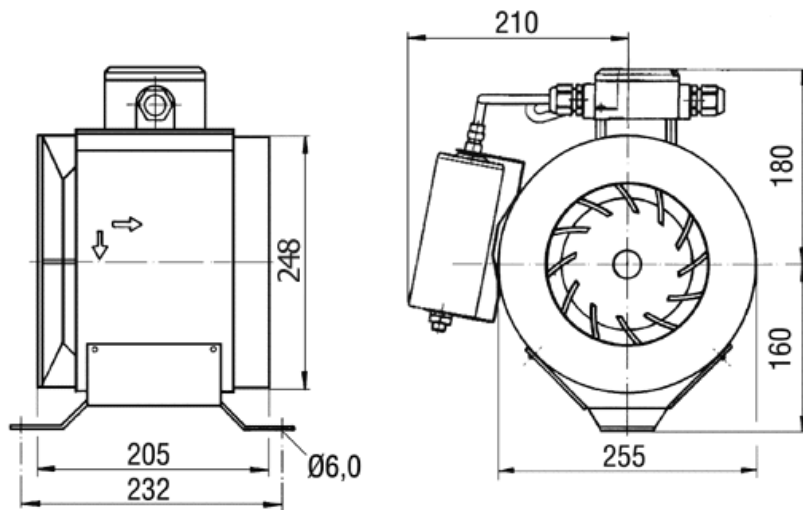
Technical Data

Article	ERM 25 E Ex e II
Air flow volume	870 m ³ /h
Rotating speed	2,860 1/min
Type of voltage	Alternating current
Rated voltage	230 V
Frequency	50 Hz
Nominal output	300 W
I _{nom}	1.4 A
I _A / I _N	3.7
Degree of protection (IP)	54
Insulation class	F
Mains cable	3 × 1.5 mm ²
Installation position	vertical, horizontal
Housing material	Synthetic material
Colour	Signal black, similar to RAL 9004
Weight	6.8 kg
Nominal size	250 mm
Airstream temperature at nominal current	50 °C
Airstream temperature at I _{Max}	50 °C
Ambient temperature:	50 °C
Explosion protection	Ex II 2G
Temperature class	T3
Sortiment	C
EAN	4012799802495
Article number	0080.0249
Aggregate level L _{WA5} , high (free inlet sound pressure level)	77 dB(A)

Characteristic curve



Dimensions [mm]



ERM 28

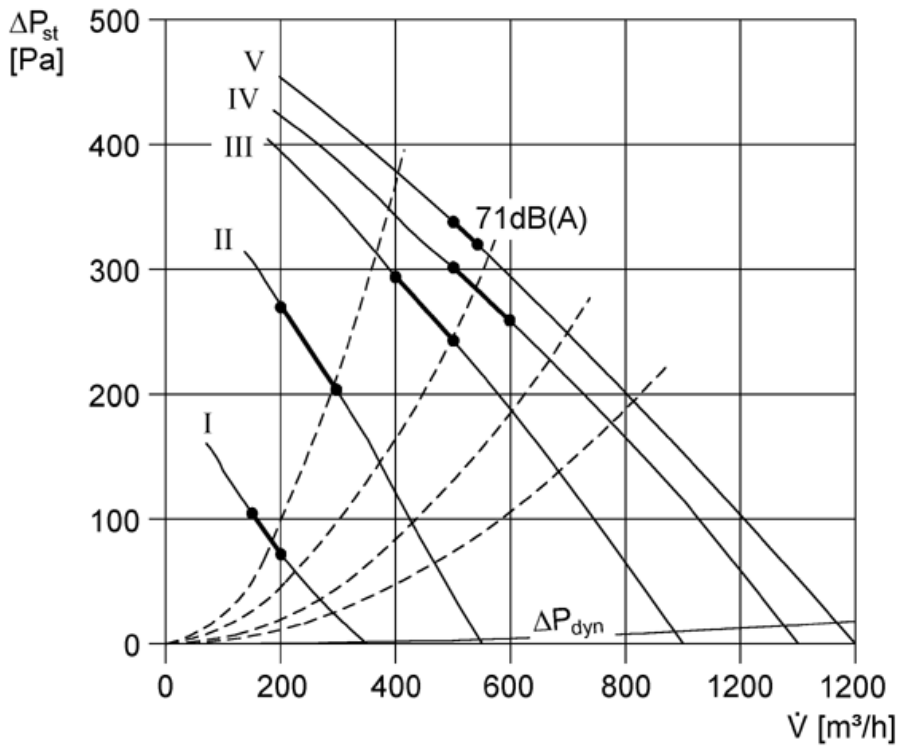
Semi-centrifugal duct fan, DN 280, single-phase AC



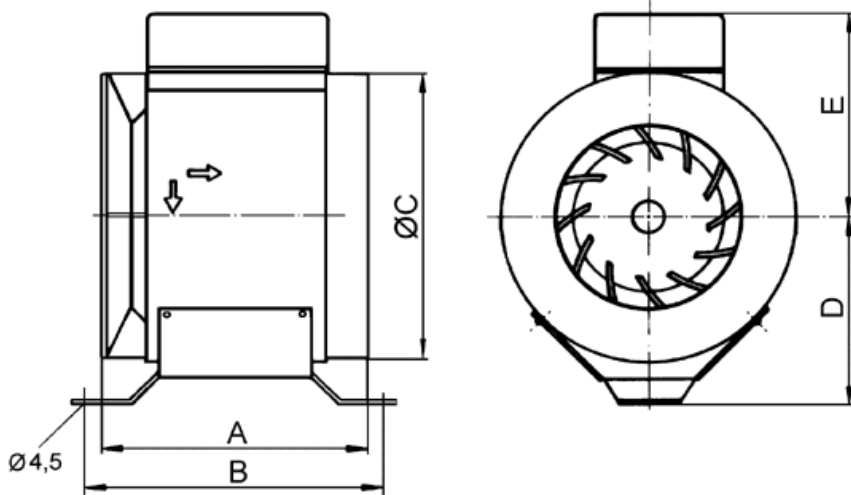
Technical Data

Article	ERM 28
Air flow volume	1,200 m ³ /h
Rotating speed	2,600 1/min
Speed controllable	✓
Type of voltage	Alternating current
Rated voltage	230 V
Frequency	50 Hz
Nominal output	340 W
I _{nom}	1.6 A
I _{Max}	2.8 A
Degree of protection (IP)	55
Insulation class	F
Mains cable	3 × 1.5 mm ²
Installation position	vertical, horizontal
Housing material	Synthetic material, shock-resistant
Colour	Pearl white, similar to RAL 1013
Weight	10.1 kg
Nominal size	280 mm
Airstream temperature at nominal current	60 °C
Airstream temperature at I _{Max}	60 °C
Sortiment	C
EAN	4012799802068
Article number	0080.0206
Aggregate level L _{WA2} , S5 (housing sound pressure level)	70 dB(A)
Aggregate level L _{WA5} , S5 (free inlet sound pressure level)	79 dB(A)
Aggregate level L _{WA6} , S5 (free outlet sound pressure level)	83 dB(A)

Characteristic curve



Dimensions [mm]



A	B	C	D	E
240	267	278	172	190